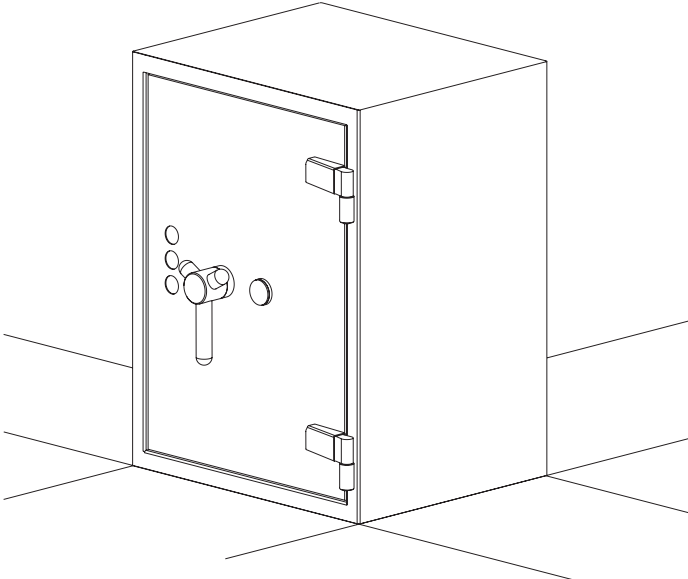


OPERATING AND MOUNTING INSTRUCTIONS
Safes grade N/0 to II according to EN 1143-1

Please read
before initial operation!



OPERATING AND MOUNTING INSTRUCTIONS

Safes grade N/0 to II according to EN 1143-1

Contents

1. Manufacturer's instructions for safe operation
2. Operation
3. Anchoring and assembly
4. Limitation of liability / Expiry of certification
5. Maintenance and service
6. Disposal

In buying this safe, you have chosen a quality product with tested security. These instructions describe how to operate and mount your safe.

Please read these instructions carefully before operating your safe and keep them in a safe place!

SCOPE OF THE INSTRUCTIONS:

Safes grade N/0 to II according to EN 1143-1
optionally with fire protection

The type plate (depending on the safe: a VdS plate or ECB-S plate) is located in the upper area on the inside of the door. The following important information can be taken from the type plate:

- **Model designation** (Serial No.)
- **Resistance level** (Security level)
- **Certification number** (VDS Recognition No. or ECBS Cert. Mark No.)

Please provide this information if you have any queries.

If you wish to insure the contents of your safe, please clarify the exact sum insured/terms of insurance with your property insurer.

1. MANUFACTURER'S INSTRUCTIONS FOR SAFE OPERATION

- Before the initial start-up (opening the safe door), please make sure that the safe is correctly set up. The safe must also be secured against tilting.
- When closing the safe door, make absolutely sure that there are no limbs between the safe door and the safe body. Otherwise there is a risk of crushing of trapped limbs.
- Before closing the safe door, make sure that the locking bolts in the safe door are retracted. Extended latch bolts bump against the safe body when the door is closed, causing the locking mechanism to become damaged and malfunction.
- Tamper protection: To prevent undetected manipulation, the cover plate for the locking mechanism is equipped with a seal.



WARNING! DANGER TO LIFE!

There is a danger of suffocation from packaging and protective films.
Keep packaging and protective films away from children.

2. OPERATION

2.1 Opening the door

Safes with a double-bit key lock: (door hinge right/left)

Insert the key and turn it clockwise as far as it will go, then turn the door handle fully clockwise and pull the door open.

For safes with left-hinged doors, the door handle must be turned anticlockwise when opening to the left.

OPERATING AND MOUNTING INSTRUCTIONS

Safes grade N/0 to II according to EN 1143-1

Important: Please note that double-bit keys have two different sides (bits). When inserting the key into the keyhole, the longer side must point towards the door handle.

Safes with an electronic code lock:

This code lock comes with its own operating instructions.

Important: Please change the pre-set factory code according to the operating instructions and safety instructions and replace it with a private code.

When changing the numerical code, the door must always be open. With the door open, check whether the new numerical code works.

Safes with a mechanical combination lock:

This combination lock comes with its own operating instructions.

The door trim panel does not have to be removed!

Important: Please change the pre-set factory code according to the operating instructions and safety instructions and replace it with a private code.

When changing the numerical code, the door must always be open. With the door open, check whether the new numerical code works.

To change the factory code there is a hole in the door panel at the height of the lock, please remove the cover cap from the hole and insert the changeover key into the combination lock.

EN

2.2 Closing the door

Safes with a double-bit key lock: (door hinge right)

Close the door firmly, turn the door handle anticlockwise all the way to the left and turn the key anticlockwise to the left. Now pull the key out of the door.

For safes with left-hinged doors, the door handle must be turned clockwise when closing to the right.

Important! Make sure that the door is properly locked (door cannot be opened).

Important: Your safe is equipped with a certified double-bit key lock with „forced locking“. The key can only be removed when the lock is locked.

Loss of key: (only with double-bit key lock version)

You will receive 2 double-bit keys as standard. If one or more keys are lost, the lock must be replaced for security reasons, otherwise the insurance cover will expire. If you need an additional key, please proceed according to the enclosed "Key Order" form.

For security reasons, replacement keys can generally only be made on presentation of an original key.

Keep your keys in a safe place outside the safe. If the keys are lost, the safe must be forcibly opened by a service technician.

2.3 Adjusting the shelves

The safe is equipped with height-adjustable shelves. Each shelf rests on four shelf supports, which are hooked into the notches on the side wall of the safe. To adjust a shelf, it must be removed from the safe and the four shelf supports can then be hooked into the desired notch.

Important: The short leg of the shelf support must be pushed into the side wall notch, the shelf then rests on the long leg of the shelf support.

OPERATING AND MOUNTING INSTRUCTIONS

Safes grade N/0 to II according to EN 1143-1

3. ANCHORING AND ASSEMBLY

3.1 General Information

If you want to insure the contents (material assets) of your safe, professional fastening of your safe with a dead weight of less than 1000 kg is a minimum requirement according to the European certification standard EN 1143-1. The general conditions for the installation site and the anchoring should be agreed with your property insurer.

The safe achieves its optimal protective function only once it has been attached to a solid part of a building. Please use only the provided anchorage holes in the safe to make the necessary fixed connection. Depending on the series, your safe is equipped as standard with one or two anchoring holes in the base or on the rear wall. Depending on the model, your safe can also be equipped with additional anchoring holes.

Professional anchoring must always be carried out through the **anchoring holes** provided in the safe body. The safe is supplied with the following standard fixing material:

**FBN II 12/100 heavy duty anchor
incl. M12 nut and washer** for push-through installation

The included heavy duty dowel FBN II 12/100 is suitable for following grounds:

- Concrete C12/15 to C50/C60, not torted
- Natural stone with dense texture

The floor structure (e.g. screed, insulation layer, ceramic tiles and similar) above load-bearing underground must not exceed 60 mm thickness. Anchoring in e.g. screed only is not sufficient.

Note:

If the supplied heavy-duty anchor cannot be used due to the nature of the substrate, the anchor system must be adapted to the condition of the substrate.

The anchoring base determines the possible anchor system. Only anchor systems that are approved or suitable for the respective anchoring substrate may be used.

In the case of existing buildings, it is often helpful to ask the owner or the building authorities for available building documents. These contain information about the anchoring base.

| | |
|----------------------------------|---|
| Anchoring screw or threaded rod: | Thread M12 / strength class 8.8 |
| Hexagon nut DIN/ISO 934: | Thread M12 / strength class 8.8 |
| Washer DIN/ISO 125: | Internal Diameter 13 mm / External Diameter 24 mm / Thickness 2.5 mm |

Anchoring holes in the safe which are not used for anchoring, must be closed from the inside with the enclosed plastic plugs (diameter 30mm). The plugs must be pressed firmly into the holes and possibly additionally glued in. If the plugs are lost, please contact your safe dealer, quoting item reference FORMAT A1003082.

OPERATING AND MOUNTING INSTRUCTIONS

Safes grade N/0 to II according to EN 1143-1

Attention!

Before anchoring, make absolutely sure that the substrate is suitable for the fixing material supplied and that there are no cables, lines, pipes or similar in the drilling area. If there are, a different mounting method must be selected.

3.2 Anchoring with the enclosed mounting material

Place the safe at the intended location and align it so it is leveled. Mark the drilling position in the area to be anchored through the anchoring holes in the safe [1.]. Please observe the safety instructions under point 1.2.

Drill at least 170 mm deep into the ground with a masonry drill (\varnothing 12 mm). Now clean the borehole (suck out drilling dust) [2.].

Important! Before driving in the heavy-duty anchor, the anchor nut must be brought into an optimum position (the threaded bolt should protrude from the nut by approx. 2-3 mm, see figure 3). This reduces the bolt protrusion in the finished anchorage.

Drive the heavy-duty anchor through the anchoring hole into the drilled hole until the nut with washer is firmly in contact with the fixing sleeve in the safe [3.].

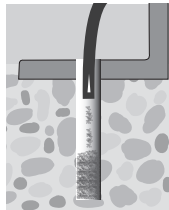
Tighten the nut with a socket wrench to a torque of 50 Nm [4.].

After the screws have been tightened, you must cover the fixing holes in the safe body with the enclosed plastic plugs (diameter 30 mm).

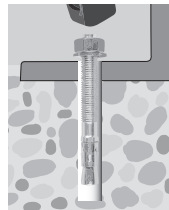
In the event of burglary/theft, your insurer is not liable for property damage or financial losses in the event of improper anchoring.



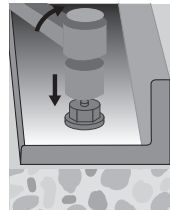
1. Mark and drill the drilling position (\varnothing 12 mm)



2. Clean the borehole



3. Hammer in the heavy-duty anchor



4. Tighten the nut with a socket wrench

4. LIMITATION OF LIABILITY / EXPIRY OF CERTIFICATION

The validity of the certification and the warranty expires as a result of consequential damage after attempted break-ins, fires, as well as improper interventions in the construction and function of the safe. FORMAT Tresorbau GmbH & Co. KG is not liable for malfunctions caused by using force or improper handling, nor for property damage or financial losses that are due, for example, to improper locking of the safe. In case of malfunctions, repairs may only be carried out by companies authorised by the manufacturer.

EN

OPERATING AND MOUNTING INSTRUCTIONS

Safes grade N/0 to II according to EN 1143-1

5. MAINTENANCE AND SERVICE

The bolt mechanism and the lock are maintenance-free. For safes with fire protection, we recommend that you visually check the fire protection seals every 2 years for any damage.

If faults occur that you cannot correct yourself or if you have any further questions, please contact your safe dealer or the manufacturer of your safe directly:

FORMAT Tresorbau GmbH & Co.KG
Industriestraße 10-24
D-37235 Hessisch-Lichtenau
Tel. +49 5602 / 939 888
www.format-tresorbau.de

EN

6. DISPOSAL

If at any time you intend to dispose of your safe, please remember that many components of this safe consist of valuable materials that can be recycled.



Batteries or accumulators with this symbol contain harmful substances.



Declaration of conformity: Products marked with this symbol comply with all applicable regulations of the European Economic Area.



Dispose of the packaging according to its type.
You can also obtain information about disposal from your local authority.

We reserve the right for errors and changes.